

Allproof Low Profile Fire Collar Plastic Pipe through Hollow Core Concrete Floor (min 150mm) See pg 2 for FRR details



System/FPA Register ID# FC730

Products	Allproof Low-Profile Fire Collar
Application	Fire stopping of plastic pipe in hollow core concrete floor
Construction	Minimum floor thickness of 150mm and comprise aerated concrete or concrete

Fire Classification:

See pg 2 for details of hollow core test results for:

- PVC pipe up to 150mm
- PVC pipe with PVC socket up to 100mm
- HDPE pipe up to 160mm
- PP-R pipe up to 110mm
- PP-MD Raupiano pipe up to 110mm
- PP-MD D-Blue pipe up to 110mm
- PEX pipe up to 25mm
- PEX/AL/PEX pipe up to 25mm
- PB pipe up to 28mm

All pipes meet FRR -/60/60 with options to increase to FRR -/90/90

ALLPROOF

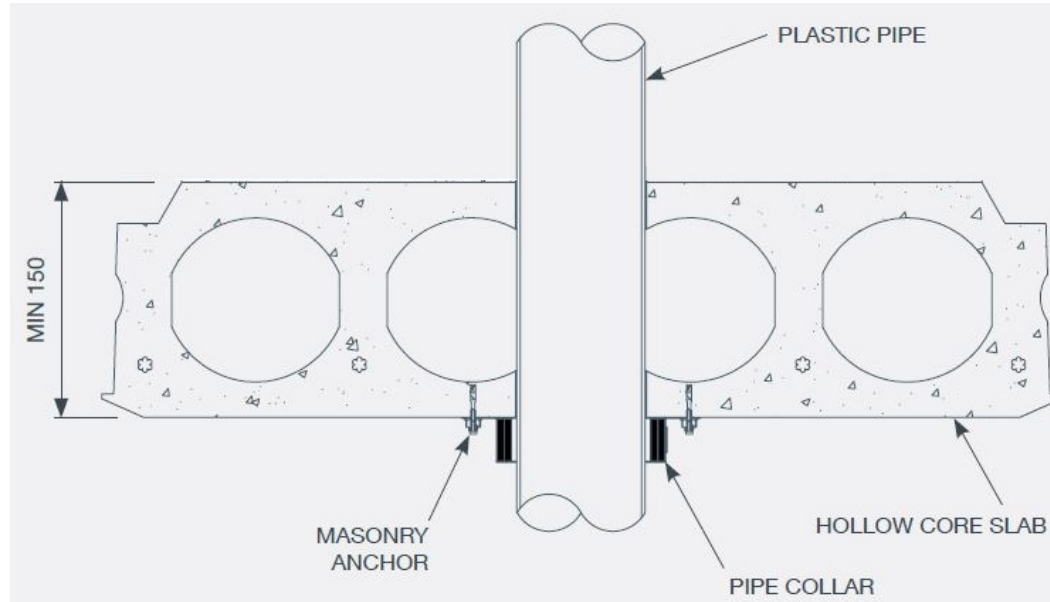
INDUSTRIES

Allproof Industries Ltd
 17 Bay Park Place
 Beach Haven, AK 0626

Sheet size:	Drawn date & no:
A4	28/7/21
Scale:	Drawn by:
NTS	G.P

INSTALLATION INSTRUCTIONS:

1. Ensure substrate around pipe is flat and free from obstructions.
2. Open pipe collar and position around pipe.
3. Slide tab through slot in pipe collar and fold back 180° to secure.
4. Secure pipe collar using M6x25 masonry anchors or M6x4.5 DBZ Wedge Anchors. Do not use fixings which rely on plastic or nylon components for grip.
5. Install only from underside on floor penetrations.



NOTE:

Hollow core floors of min 200mm thickness will achieve -/90/90
 FFR of 150mm hollow core floors may be increased to -/90/90 by adding a concrete topping of 75mm.



BRANZ Appraised
 Appraisal No.1088 [2019]

As a part of our policy of on-going product development and testing, we reserve the right to modify, alter or change product specifications without giving notice. All information contained in this document is given in good faith and is provided for guidance only. Any drawings provided are for illustrative purposes only. As Firestop Centre has no control over the methods or competence of installation and of prevailing site conditions, no warranties, expressed or implied, is intended to be given as to the actual performance of the product mentioned or referred to herein and no liability whatsoever will be accepted for any loss, damage or injury arising from the use of the information given.

For all technical details on the products specified please refer to the technical data sheets that can be found on www.firestopcentre.co.nz

Signed and approved:

HOLLOW CORE SLAB TEST RESULTS:

NOMINAL PIPE SIZE (MM)	SLAB DEPTH (MM)	NOMINAL PIPE WALL THICKNESS (MM)	PRODUCT CODE	PENETRATION HOLE SIZE (MM)	FLOOR FRL	FTC#
PVC PLASTIC PIPE						
20	150	1.8	ALLFC25	28	-/60/60	4687
40	150	2.0	ALLFC40	47	-/60/60	4687
50	150	2.2	ALLFC50	57	-/60/60	4687
65	150	2.7	ALLFC65	72	-/60/60	4687
80	150	2.9	ALLFC80	87	-/60/60	4687
100	150	3.2	ALLFC100	112	-/60/60	4687
150	150		ALLFC150	162	-/60/60	4687
PVC PLASTIC PIPE - WITH PVC SOCKETS						
40	150	2.4	ALLFC40	47	-/60/60	4687
100	150	3.3	ALLFC100	112	-/60/60	4687
HDPE PLASTIC PIPE						
50	150	3.0	ALLFC50	52	-/60/60	4687
75	150	3.0	ALLFC80	77	-/60/60	4687
100	150	4.3	ALLFC100	112	-/60/60	4687
160	150	6.2	ALLFC150	162	-/60/60	4687
PP-R PLASTIC PIPE (SDR 7.4)						
40	150	5.5	ALLFC40	55	-/60/60	4687
75	150	10.3	ALLFC80	85	-/60/60	4687
110	150	15.1	ALLFC100	112	-/60/60	4687
RAUPIANO PP-MD						
40	150	1.8	ALLFC40	44	-/60/60	4687
50	150	1.8	ALLFC50	54	-/60/60	4687
75	150	1.9	ALLFC80	79	-/60/60	4687
110	150	2.7	ALLFC100	114	-/60/60	4687
D BLUE PP-MD						
50	150	1.8	ALLFC50	52	-/60/60	4687
110	150	3.4	ALLFC100	112	-/60/60	4687
OTHER PLASTIC PIPE						
16 PEX	150	2.35	ALLFC25	28	-/60/60	4687
25 PEX	150	3.75	ALLFC25	28	-/60/60	4687
25 PEX/AL/PEX	150	2.8	ALLFC25	28	-/60/60	4687
16 PB	150	1.7	ALLFC25	28	-/60/60	4687
28 PB	150	2.8	ALLFC25	32	-/60/60	4687

Fixing: Collars tested using M6x25 masonry anchors or M6x4.5 DBZ Wedge Anchors.

Note: FRL can be increased with the below floor depth specifications,

75mm concrete topping can be added to 150mm hollow core floor to achieve -/90/90 FRL.

Hollowcore floors with a minimum depth of 200mm will achieve -/90/90 FRL.